

DEHYDRATM 52

condensate purge system

Demand Activated Condensate Removal



▶ **The Proven Performance Leader in Thousands of Installations**

▶ **Handles Compressed Air Systems from 100 to 100,000 CFM**

▶ **Zero Air Loss**

▶ **Efficient All Pneumatic Operation**

▶ **Large Clog Resistant Fluid Porting**

▶ **No Electricity Required**

▶ **Intrinsically Safe**

▶ **Resists Most Chemically Hostile Environments**

▶ **Three Year Warranty**

Excellent Return on Investment

Often Saves Enough Compressed Air to Self-Amortize in Six Months or Less.

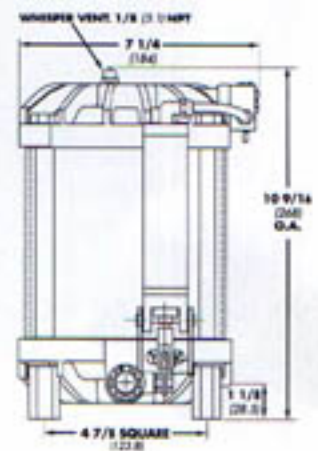
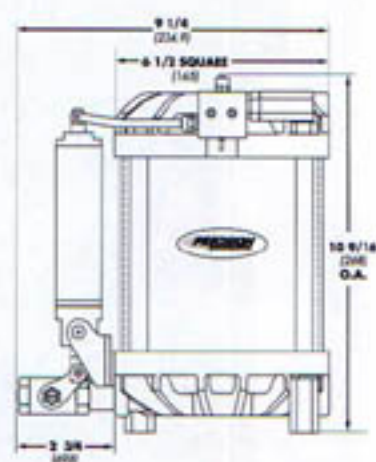
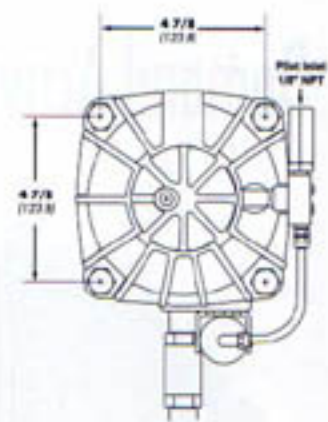
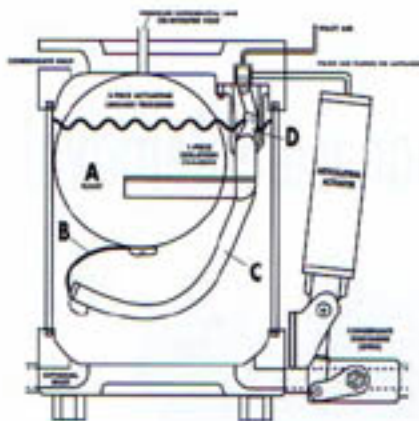
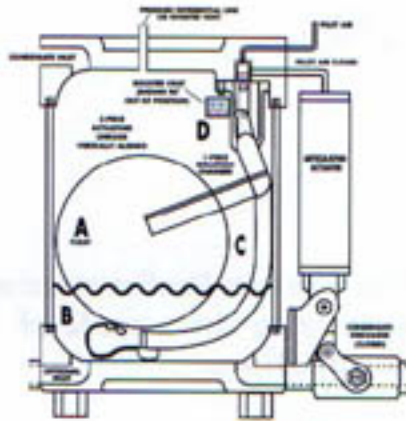
PRECISION
pneumatics

WORLD CLASS

U.S. Patent No's. 5,417,237
5,687,754

DEHYDRA 52

condensate purge system



OPERATING CYCLE

As condensate accumulates in the reservoir, float (A) rises, until tether (B) pulls trigger arm (C). At the 52 ounce level, actuating linkage (D) moves laterally, opening the pilot air, which powers the actuator, discharging the liquid. Float drops as liquid exits, lever assembly returns to vertically aligned position, pilot air is shut off, causing discharge valve to close.

FEATURES BENEFITS

| | |
|-------------------------------------|---|
| Demand Activated | Eliminates need for pre-setting |
| Zero Air Loss | Energy efficiency |
| Large 52 Ounce Reservoir | Fewer cycles; extended service life |
| Plated, Anodized Components | Prepared for chemically aggressive environments |
| Manual Purge Button | Simple operations check |
| Internal Flow Booster (proprietary) | Prevents airlock |
| Sealed Actuation Mechanism | Unaffected by Rust and Pipe Scale |

OPERATING PARAMETERS

| | |
|-----------------------------|--|
| Maximum Reservoir Pressure | 200 PSIG [14 BAR] (standard unit) |
| | 450 PSIG [31 BAR] (high pressure unit) |
| Allowable Fluid Temperature | 34-150° Fahrenheit [1-65°C] |
| Required Pilot Air Pressure | 55-120° - PSIG [5.6-8.4 BAR] |

SPECIFICATIONS

| | |
|--------------------------------|---|
| Weight | 11 lbs. [5 Kilos] |
| Fluid Ports Size | 5/8" [16mm] |
| Ball Valve Port Size | 1/2" [13mm] Stainless steel ball stem, double viton "O" rings, nickel plated brass body |
| Reservoir Capacity | 52 oz. [1.39 Liters] |
| Discharge Quantity (one cycle) | 44 oz. @100 PSIG [1.18 Liters @ 7 BAR] |
| Continuous Flow Quantity | 13.6 U.S. gallons per minute [46.8 Liters] |