

Model 100L Specifications and Dimensions

STANDARD FEATURES:

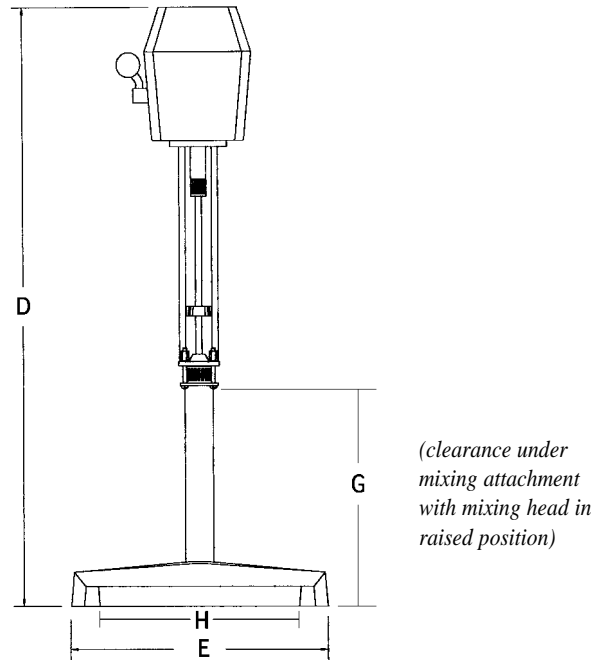
- 1/2 HP, 115 volt, 50/60 Hz, single phase motor (supplied with cord and plug).
- Variable speed control from 1-10,000 rpm.
- Type 316 stainless steel wetted parts.
- Sturdy frame for bench mounting.
- All non-stainless steel external surfaces coated with a white two part epoxy paint.
- Easy to completely disassemble and clean with simple hand tools.

AVAILABLE MIXING ATTACHMENTS*:

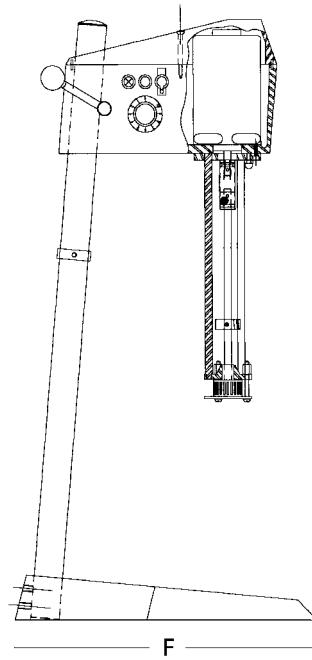
- **L Attachment:** High Shear Rotor/Stator attachment complete with disintegrating, slotted, and fine screen stator heads. Attachment is equipped with a glass filled Teflon bushing.
- **DL Attachment:** High speed disperser or propeller mixer attachment.
- **ML Attachment:** High Shear Micro Rotor/Stator attachment for batches between 50 and 500 ml.

AVAILABLE OPTIONS:

- Down-thrust propeller for standard rotor/stator attachment.
- Bronze or solid Teflon bushings or Stellite bushing and shaft (for abrasive applications) for standard Rotor/Stator attachment.
- 80 mesh fine screen stator head for standard Rotor/Stator attachment.
- Vessel/Beaker clamp attachment.



(L Attachment Shown)



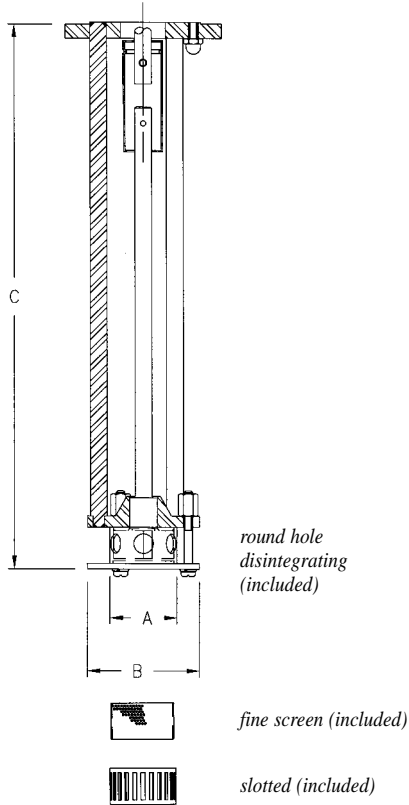
Model Series 100	HP	RPM	D		E		F		G (L attachment)		G (DL attachment)		G (ML attachment)		H Distance between feet		Capacity (water)		Weight	
			O.A. Height	O.A. Width	O.A. Length	"	mm	"	mm	"	mm	"	mm	"	mm	"	mm	Gal.	Ltr.	Lbs.
100L	1/2	0 to 10,000	24	610	13.25	336	15 7/8	403	11 1/8	282.6	11 3/8	288.9	9 3/4	247.7	11	279.4	0.3-4	1.1-15	35	16

* See back of this sheet for dimensions of attachments.

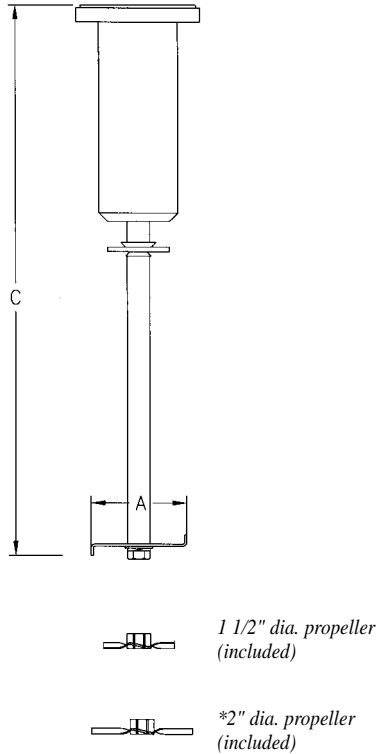
HSM L SS-00

Model 100L Attachments

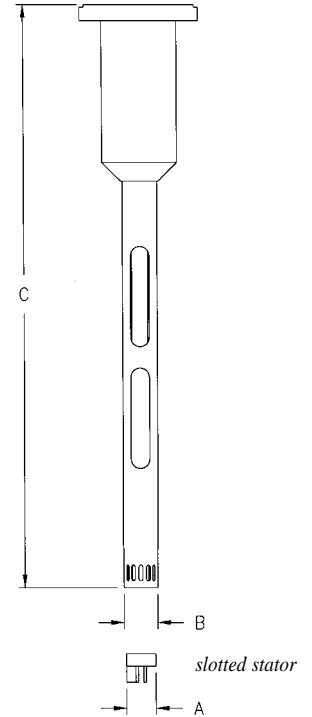
**L Attachment
(standard rotor/stator)**



**DL Attachment
(high speed disperser)**



**ML Attachment
(micro rotor/stator)**



Attachment	A Rotor Diameter		B Lower Flange		C Shaft Length	
	inches	mm	inches	mm	inches	mm
L	1 3/8	34.9	2 1/2	63.5	12 5/16	312.7
DL	2*	50.8	N/A	N/A	12 1/16	306.4
ML	0.69	17.5	0.79	20.0	13 5/8	346.1

* A 2" disperser blade is supplied with this attachment. Consult factory for information on other available sizes.



CHARLES ROSS & SON COMPANY

P.O. Box 12308, 710 Old Willets Path, Hauppauge, NY 11788 • Fax: 1-631-234-0691 • Tel: 1-631-234-0500

Website: www.mixers.com • Email: sales@mixers.com