

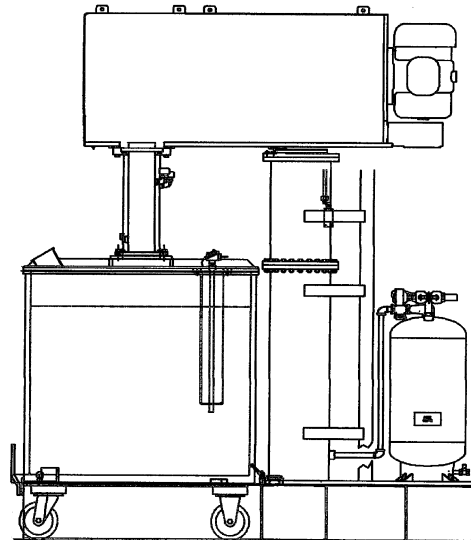
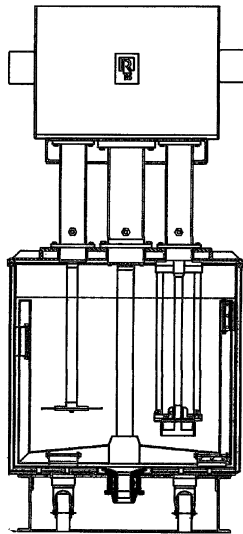
PVM 300-750 Specifications and Dimensions

STANDARD FEATURES

- Change can design for use with multiple mix vessels.
- Mix vessel locating and locking device.
- Vertical lift design with controls for lowering agitators to the operating position.
- Wetted parts are stainless steel type 304, polished to an 80 grit finish.
- Stainless steel type 304 mix vessel cover.
- Non-stainless steel components are finished with a durable two-component paint.
- Up to three independently driven agitators including an Anchor, High Speed Disperser, and High Shear Rotor/Stator Mixer.
- Drive motors are TEFC induction motors.
- Safety limit switch to prevent operation of the agitator drives when the mix vessel is removed or when agitators are raised from the mixing position.

OPTIONAL FEATURES

- Wetted parts of stainless steel type 316, Hastelloy or other special alloys.
- Mixer sheathing available in carbon steel or polished stainless steel.
- Vacuum and/or internal pressure designs.
- Sanitary designs with special seals, polish, and sanitary connections.
- Sight ports, inlet and outlet nozzles and flush tank discharge valves are available.
- Temperature probes, pressure transducers, and other batch sensors can be included.
- Agitator drive motors, safety limit switches, controls, and mixer pre-wiring available in explosion proof configurations.
- Mix vessels can be jacketed for heating/cooling and internally machined for use with a Ross Discharge System.
- Mix vessels are available on casters and special raised bases.
- Control systems are available including variable speed systems and PLC based controllers.
- Complete systems can include controls, vacuum pump, heater/chiller and other auxiliary equipment.
- Custom agitators and other special features can be incorporated into the design.



Model	Mixing Capacity	Full Capacity	Anchor HP	Anchor Speed	Disperser HP	Disperser Speed	Rtr/Str HP	Rtr/Str Speed	Wt.	Vessel OAH	Vessel Dia	Vessel Inside Height	Mixer Lowered OAH	Mixer Raised OAH	Mixer OAW	Mixer OAL
PVM-300	150-300 Gal	398 gal	30	9-36	60	272-1090	60	450-1800	9500	54	55 1/2	38	134	174	55	128
PVM-500	237-500 Gal	617 Gal	40	8-34	75	272-1090	75	300-1200	11,500	73	58	54	141	197	65	132
PVM-750	430-750 Gal	888 Gal	40	8-34	75	272-1090	75	300-1200	15,500	82	66	60	166	232	74	142

All dimensions are in inches

PVM750 0301

