

Sartoclean®-CA

The Pharmaceutical Membrane Prefiltration Cartridges and Capsules

Major Applications

Sartoclean®-CA filter cartridges and capsules are used as the final prefiltration step for the removal of particles and microorganisms prior to sterile filtration.

- Prefiltration of pharmaceutical products - SVP's and LVP's
- Serum filtration
- Plasma fractions
- Biological products and vaccines
- Cell Culture media
- Fermentation feed solutions
- Cell removal from fermentation processes
- Particle removal filtration in water systems

Product Profile

Sartoclean®-CA filters are constructed of cellulose acetate membrane filters which are characterized by minimal adsorption of proteins, BAK, viruses, and other active components.

A double layer heterogeneous membrane construction allows for high dirt loading capacity, increased throughput, toclean CA filter cartridges. The first filter is of a larger pore size than the second filter (heterogeneous double membrane). High dirt loading capacities coupled with high flow rates at low differential pressures offer long service life for the protection of final membrane filters.

All materials have passed the current USP Class VI Plastics Test. The filtrate is within the USP requirements for Water for Injection with respect to total solids, oxidizable substances, particulate matter, ammonia, chloride, nitrate, sulfate and heavy metals. Sartoclean®-CA complies with cGMP requirements for non-fiber releasing filters and is filed under the Drug Master File Number 5967 by the Food and Drug Administration, Washington, D.C. Full validation information is available.

Scale-up

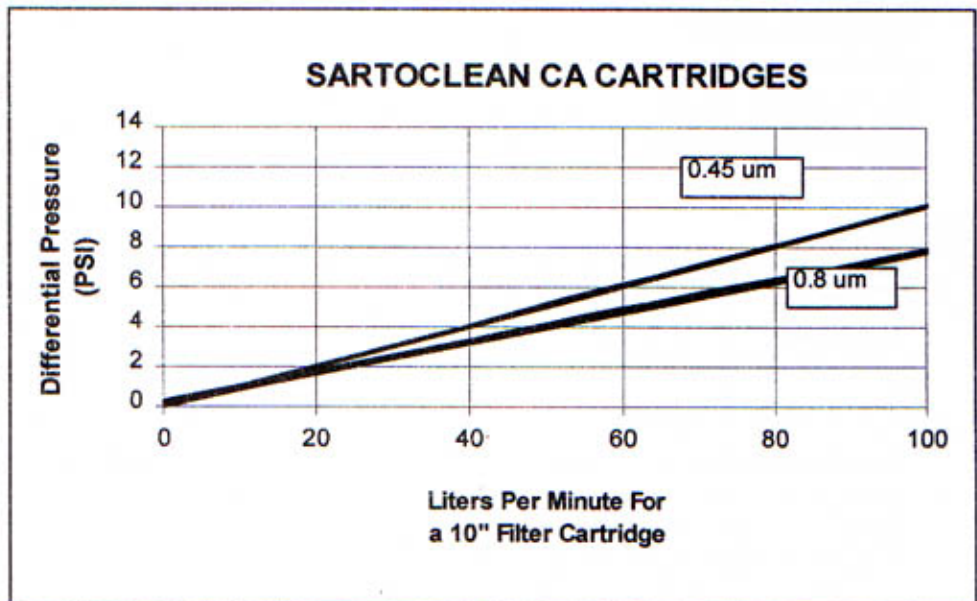
Non-adsorptive Cellulose Acetate Membranes

Cellulose acetate membranes offer the lowest non-specific protein binding for filter membranes available for filter cartridges. Ideally suited for the pre-filtration of pharmaceutical and biological product without the loss of product activity or components

High Particle Retention Capability

The heterogeneous double membrane filter cartridge consists of two non-binding cellulose acetate membrane filters of different pore sizes, each of which has been tested for retention, providing maximum efficiencies even with high bioburden.

Feature	Benefits
Heterogeneous double cellulose acetate filter membrane with the first being of a larger pore size than the final membrane.	Highly retentive membrane pre-filtration with high throughput and service life.
Non-adsorptive cellulose acetate filter membranes.	Ideally suited for the pre-filtration of pharmaceutical and biological products without the loss of product activity or components.
Serial filtration and high flow rates.	High dirt loading capacities coupled with high flow rates at low differential pressures offer long service life for the protection of final membrane filters.
Available in a variety of filter capsule and cartridge sizes.	This allows for easier scale-up as your production requirements increase, or as processes are being developed for large scale processing.



Materials of Construction

Prefilter	Polypropylene	Core	Polypropylene
Membrane Filters	Cellulose Acetate	End Caps	Polypropylene
Support Gauze	Polypropylene	O-Rings	Silicone*
Outer Support	Polypropylene		

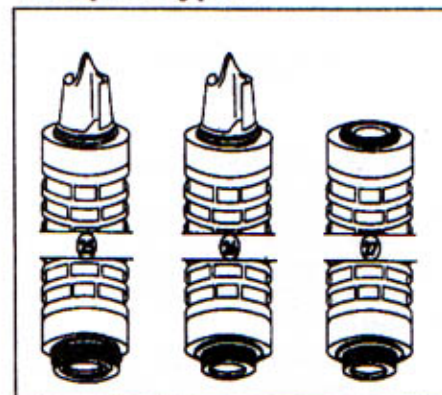
*EPDM and Viton O-rings are also available. Add an E or V to the part number

sartorius

Technical Data

Filtration area, standard cartridges	6.5 ft ² for 3.0/0.8 μm & 1.2/0.45 μm
Filtration area, standard capsules and mini-cartridges	1/2, 1, 2 and 5 ft ² filters are available
Outer diameter and height	72 mm (2.8") x 10" nominal per element not including adapter
Maximum differential pressure	75 psi at 20°C 30 psi at 80°C
Maximum back pressure	36 psi at 20°C
Sterilization:	Autoclaving (121°C, 15 psi, 30 min.) In-line steaming (up to 30 psi inlet with max. differential pressure of 7 psi, 30 min.)
Chemical compatibility:	See table in the Sartorius Validation Guide or contact Sartorius

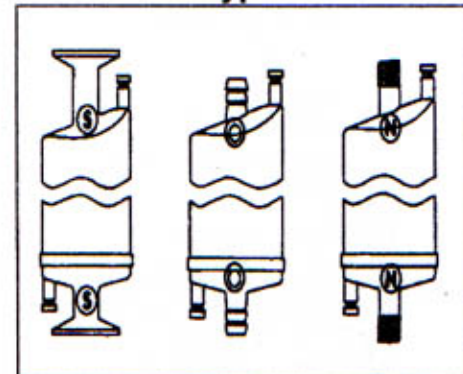
Adapter Types



Available types and Order Number: Sartoclean-CA Standard Cartridges

Construction (End cap/adapter type)	Final Membrane Pore Size	Configuration		
		1-high (10")	2-high (20")	3-high (30")
25 : S-adapter top, 2 pin bayonet- type 226; O-ring adapter bottom	3/0.8 μm 1.2/0.45 μm	5622504E1 5622506F1	5622504E2 5622506F2	5622504E3 5622506F3
26 : S-adapter top, double 222 O-ring adapter bottom	3/0.8 μm 1.2/0.45 μm	5622604E1 5622606F1	5622504E2 5622506F2	5622504E3 5622506F3
27 : Closed top, double 222 O-ring adapter bottom	3/0.8 μm 1.2/0.45 μm	5622704E1 5622706F1	5622504E2 5622506F2	5622504E3 5622506F3

Connector Types



Available types and Order Number: Sartoclean CA Capsules

Pore Size Combination	1/2 ft ² Capsule (Pack of 5)	1 ft ² Capsules (Pack of 5)	2 ft ² Capsule (Pack of 4)	5 ft ² Capsule (Pack of 2)
3.0 + 0.8 μm	5621304E7P..B	5621304E8P..B	5621304E9P..A	5621304E0P..V
1.2 + 0.45 μm	5621306F7P..B	5621306F7P..B	5621306F7P..A	5621306F0P..V

Sartorius Sartoclean®-CA capsule filters are listed in the above chart. Different pore sizes for each capsule, and corresponding partial order numbers are listed by capsule size. To complete the order number simply replace the two dots with the appropriate two letter combination (S,O,N) to indicate the type of end connectors you require.
S = Sanitary Flange, O = 1/2" Hose Barb, N = 1/4" NPT.

Example: 5621306F8P..B would become 5621306F8PSOB, signifying the selection of a Sartoclean®-CA, 0.45 μm, 1 ft²/box of 5 capsules with a sanitary flange connector at one end and a 1/2" hose barb at the other.