

Sartopure GF2

The high capacity prefilter cartridges and capsules with adsorptive characteristics

Major Applications

Sartopure GF2 pleated prefilters are manufactured with both polypropylene and glass fiber depth filter materials. This combination provides excellent retention capabilities. The polypropylene and glass fiber filter materials have a high dirt loading capacity. In addition, the electrostatic properties of the glass fiber depth filters will aid in the retention of both rigid and deformable particles.

These filters are ideally suited for the clarification and prefiltration, including bioburden reduction of the following solutions prior to the membrane filter.

- Pharmaceutical products
- Serum products
- Blood products
- Cell culture media
- Water

Product Profile

Sartopure GF2 filters combine layers of progressively finer glass fiber material and non-woven pleated polypropylene filter material with a final polypropylene layer that is thermally bonded to protect against fiber release.

Sartopure GF2 filters comply with Title 21 Code of Federal Regulations, Section 211.71 and 210.3 (b) (6) for non-fiber releasing filters.

The Sartopure GF2 filter cartridges and capsules are available in 0.65 μm and 1.2 μm pore sizes and are designed for the clarification application where high dirt loading capacities, long service life and extremely high flow rates at low differential pressures are required.

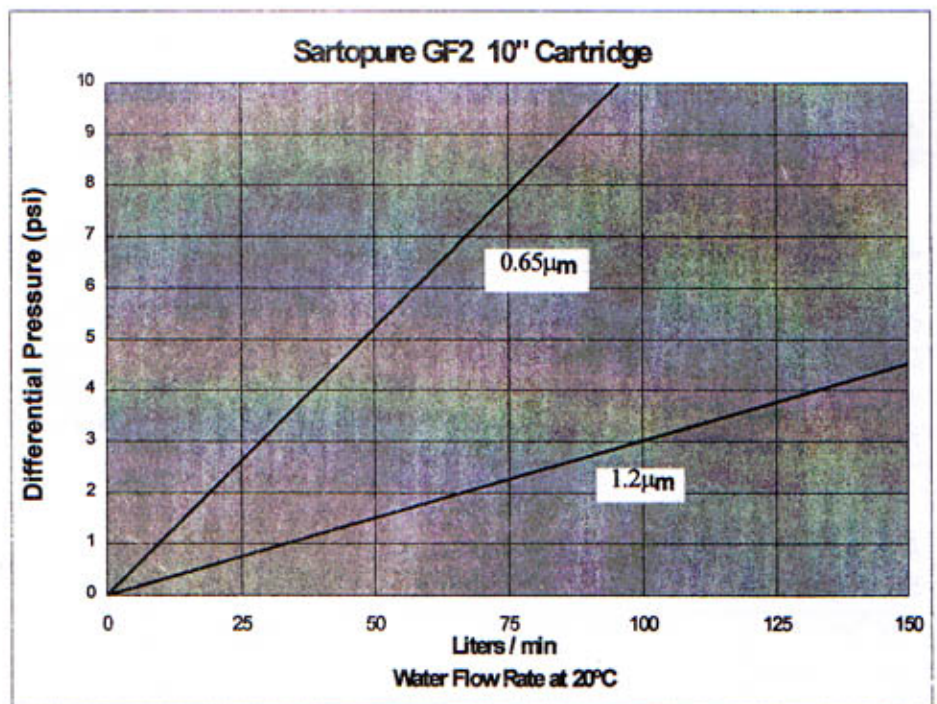
Focus On

Scale-up

Quality Product

All materials have passed the current USP Class VI Plastics Test and all filtrates meet or exceed the requirements for Water for Injection with respect to total solids, oxidizable substances, particulate release, ammonia, chloride, nitrate, sulfate and heavy

metals. These filters comply with the cGMP requirements for non-fiber releasing filters and are filed under the Drug Master File Number (DMF) 5967 by the Food and Drug Administration, Washington, D.C. Full validation information is available.



Materials of Construction

Depth Filter Materials	Bonded Glass Fiber and Polypropylene
Support Layers	Polypropylene
Cage	Polypropylene
Core	Polypropylene
Capsule Body	Polypropylene
End Caps	Polypropylene
O-Rings	Silicone*

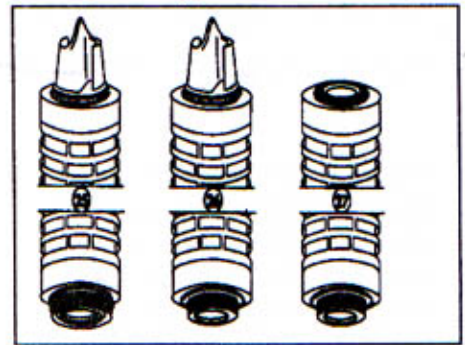
*EPDM and Viton O-rings are also available. Add an E or V to the part number

sartorius

Technical Data

Filtration area, standard cartridges	5 ft ² per 10" element
Filtration area, standard capsules and mini-cartridges	1/3, 1/2, 1, 2 and 5 ft ² capsules and 2 ft ² mini-cartridges are available
Maximum differential pressure	72 psi at 21°C (for cartridges) 29 psi at 121°C (for cartridges) 58 psi at 21°C (for capsules)
Maximum back pressure	44 psi at 21°C (for cartridges)
Sterilization:	In-line steaming (up to 30 psi inlet with max. differential pressure of 7 psi, 30 min.) max number of steam cycles = 100 Filter capsules cannot be in-line steam sterilized. Autoclaving (134 °C, 30 psi, 30 min.)
Chemical compatibility:	See table in the Sartorius Validation Guide or contact Sartorius

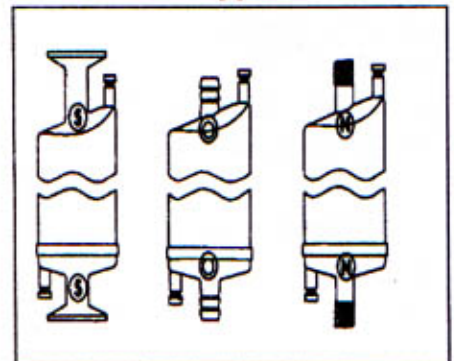
Adapter Types



Cartridge Adapter Types

- 21 - Double Open End with gaskets (not shown above)
- 25 - (2) 226 O-rings, lock in tabs, S-adapter top
- 26 - (2) 222 O-rings, S-adapter top
- 27 - (2) 222 O-rings, flat top

Connector Types



- S - 1-1/2" Sanitary Flange
- O - 1/2" Hose Barb (1/3 ft² = 1/4" HB)
- N - 1/4" NPT

Available Types and Order Number: Sartopure GF2 Cartridges

Construction	Final Pore Size	Configuration		
		1-high (10")	2-high (20")	3-high (30")
Standard Cartridge	(µm)			
Adapter Type (**)				
21, 25, 26, 27	0.65 µm	557**05P1	557**05P2	557**05P3
21, 25, 26, 27	1.2 µm	557**03P1	557**03P2	557**03P3

Available Types and Order Number: Sartopure GF2 Mini-Cartridges

Final Pore Size	2 ft ² Mini-Cartridges (Box of 5)
0.65 µm	5571505P9B
1.2 µm	5571503P9B

Available types and Order Number: Sartopure GF2 Capsules

Final Pore Size	1/3 ft ² Capsules (Box of 10)	1/2 ft ² Capsules (Box of 5)	1 ft ² Capsule (Box of 5)	2 ft ² Capsules (Box of 4)	5 ft ² Capsule (Box of 2)
0.65 µm	55705P5OOD	5571305P7**B	5571305P8**B	5571305P9**A	5571305P0**V
1.2 µm	5571303P5OOD	5571303P7**B	5571303P8**B	5571303P9**A	5571303P0**V

**To complete the order number simply replace the two asterisks with the appropriate two letter combination (S,O,N) to indicate the type of end connectors you require.

