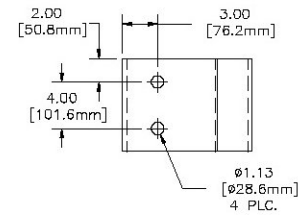
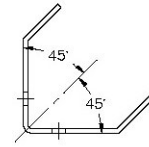
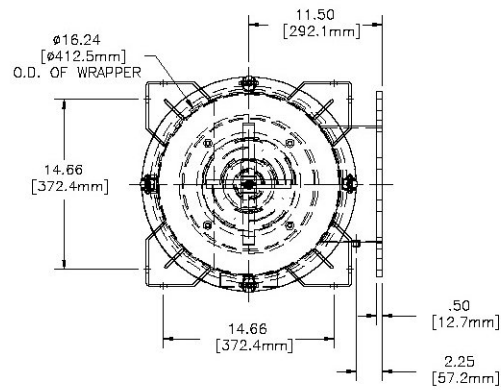
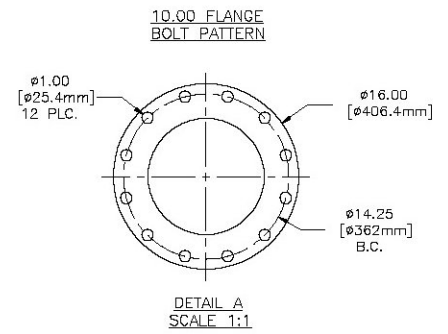


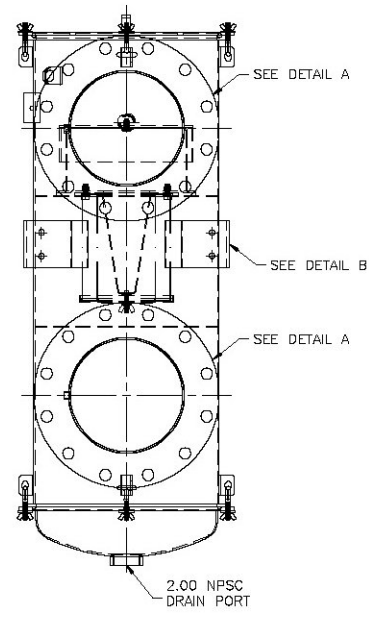
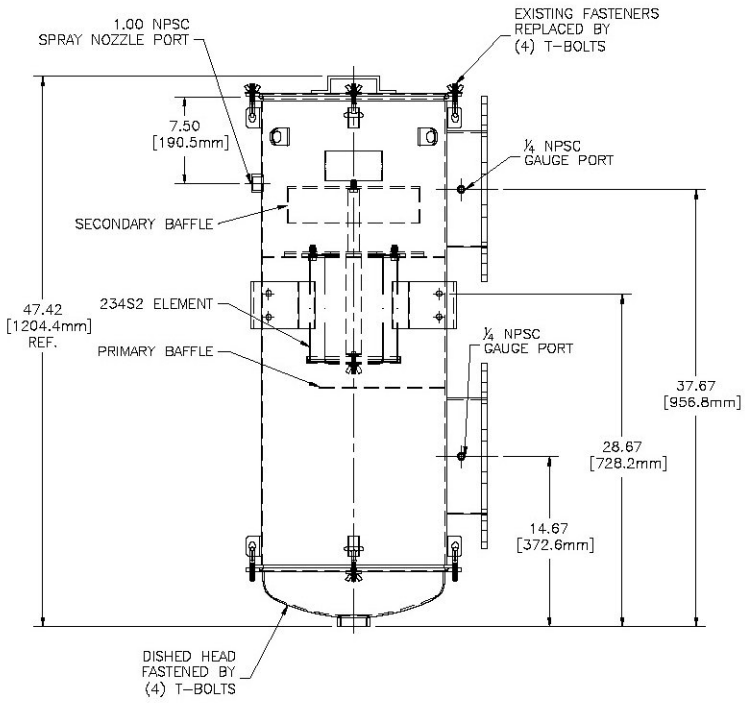
REVISIONS					
REV	DESCRIPTION	ECN #	CHG BY	DATE	APP'D
A	CHANGED TO "C" DESIGN, WAS "S" DESIGN	15773	CRW	01/03/08	-



DETAIL B
SCALE 1:1



DETAIL A
SCALE 1:1



REPLACEMENT ELEMENT# 234S2	
MATERIAL	S.S. WIREMESH
CFM FLOW	570
SURFACE AREA	22.8 SQ. FT.
I.D.	4.75
O.D.	7.88
HEIGHT	9.63

MODEL#	HOUSING MATERIAL	FINISH
2182-SRS-05	304 STAINLESS STEEL	BEAD BLAST EXTERIOR