

DRAWING NO: IV14.5CA40-FYTIMB51B4043510-JEX-

REV. NO.:

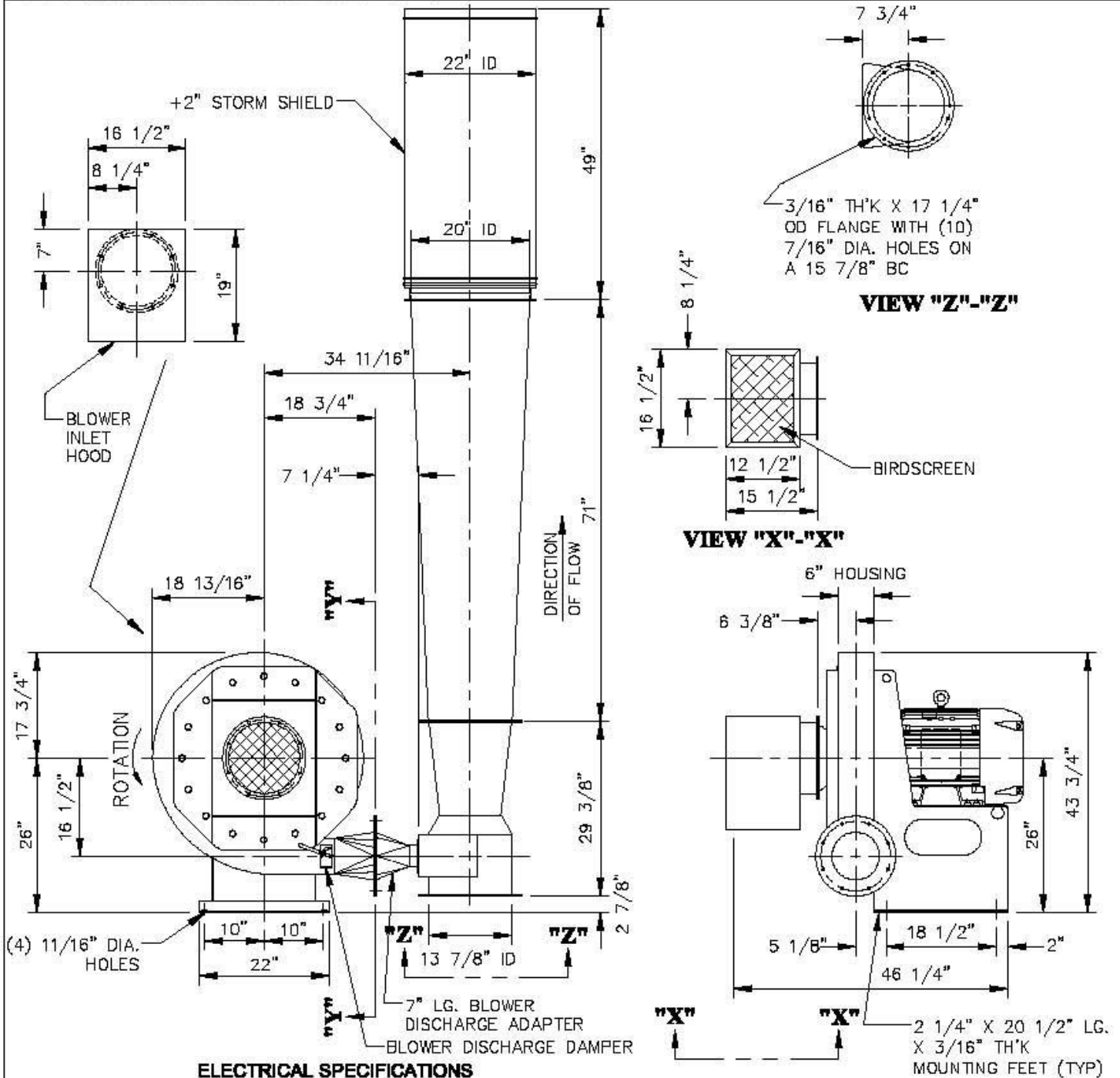
REV. DATE:

MODEL:

# IE14 1/2CA-40-R-20

(VERTICAL INSTALLATION WITH STORM SHIELD)

## Condit Model SV600040



## ELECTRICAL SPECIFICATIONS

MOTOR ENCLOSURE TYPE	HP	RPM	PHASE	VOLTS	HERTZ
T.E.F.C., ARCTIC DUTY	40	3450	3	230/460	60

**CONSTRUCTION** - EDUCTOR AND EXTENSION FABRICATED OF MILD STEEL, TYPE 304L, 309L, OR 316L STAINLESS STEEL WITH 3/16" THICK FLANGES. ALSO AVAILABLE IN ABRASION RESISTANT STEEL AND OTHER MATERIAL UPON REQUEST.

**SHIPPING WEIGHT** - 2 CARTONS - TOTAL 707 POUNDS.