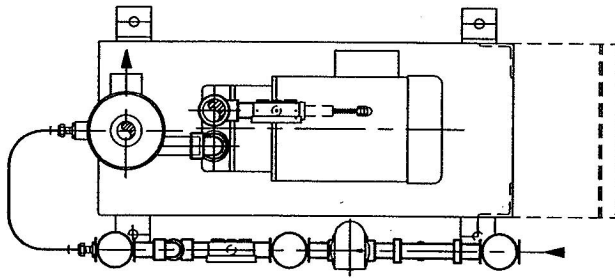
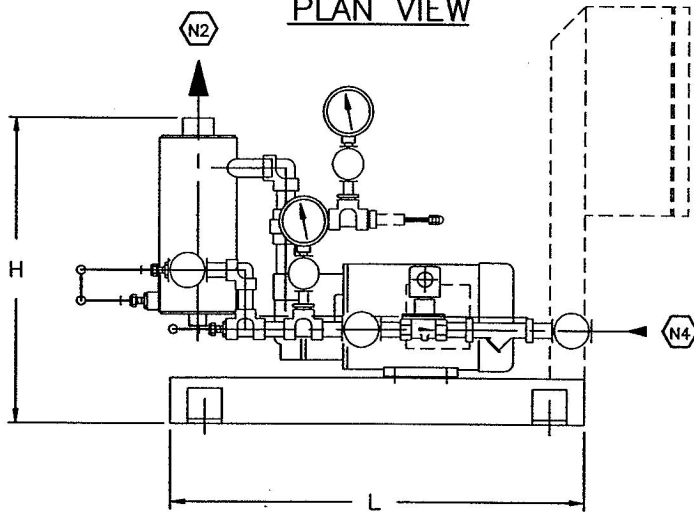


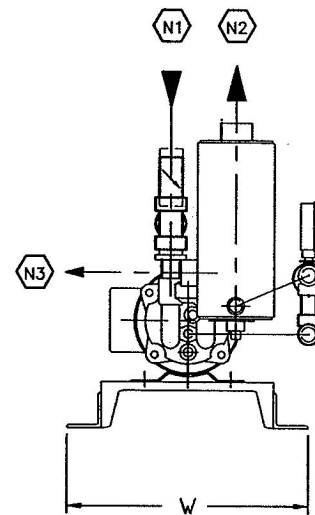
PUMP SYSTEM	PUMP MODEL	WEIGHT APPROX. (LBS.)	OVERALL DIMENSIONS			NOZZLE SCHEDULE			
			L	W	H	N1 SUCTON	N2 VENT	N3 OVERFLOW	N4 SER. LIQ.
XBA-104	60	229	36"	14"	17 ³ / ₁₆ "	1 ¹ / ₄ "	1 ¹ / ₂ "	1"	1/2"
XBA-105	110	324	45"	16"	22 ³ / ₁₆ "	1 ¹ / ₂ "	1 ¹ / ₂ "	1"	1/2"
XBA-106	170	350	45"	16"	24 ³ / ₈ "	1 ¹ / ₂ "	1 ¹ / ₂ "	1"	1/2"
XBA-107	250	684	51"	19"	32 ¹ / ₁₆ "	2"	2"	1 ¹ / ₂ "	1/2"



PLAN VIEW



ELEVATION VIEW



SIDE ELEVATION